

C70S Window

› OPEN-OUT DETAILS



› OPEN-IN DETAILS



Beautifully engineered and brilliantly functional, the C70S delivers class-leading performance with U-values of 1.3 W/m²K, advanced water tightness and a range of features to simplify fabrication and installation.

Meeting and exceeding the key thermal, acoustic and performance demands of the commercial specifiers, the C70S is the perfect aluminium solution for residential and commercial projects.

DESIGN FEATURES

- › Universal EPDM carrier groove – allows clip-in EPDM strip and direct lug fixing to be used on all outer frames, frame extenders and sub cill profiles
- › Outer Frames, Transoms/Mullions, Beads, Gaskets, Ancillary profile parts used across both Open-in and Open-out
- › Consistent sightlines with 58BW system offering maximum project flexibility
- › Euro groove (16mm full depth) allowing for a wider choice of hardware
- › 5-day lead time in 9910HG, 7016M, 9005M and key dual colour options

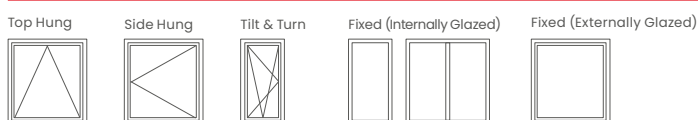
OPTIONS

- › Three levels of insulation: standard, partial and HI
- › Glazing options 24mm-50mm
- › Side Hung, Top Hung, Fixed Light & Tilt Before Turn configurations available
- › Trickle ventilation available

SPECIFICATIONS

Performance and accreditations	C70S HI Open-in	C70S HI Open-out
Uw (Double Glazing)	1.3W/m ² k	1.3W/m ² k
Uw (Triple Glazing)	1.1W/m ² k	1.1W/m ² k
Window Energy Rating	A Rated	A Rated
Air Tightness (Pa)	Class 4 (600Pa)	Class 4 (600Pa)
Water Tightness (Pa)	E900 (900Pa)	E1500 (1500Pa)
Wind Load (Pa)	Class E2400 (2400Pa)	Class E2400 (2400Pa)
Security	PAS 24 & SBD	PAS 24 & SBD
System		
Depth	70mm	70mm
Configurations		
Top Hung	-	✓
Side Hung	✓	✓
Tilt before Turn	✓	-
Bottom Hung	✓	✓
Fixed Light - internally glazed (Reversers available)	✓	✓
Fixed Light - externally glazed (Reversers available)	✓	✓
Size and weight limits		
Top Hung		
Max Size (mm)	-	1680w x 2500h
Min. Size (mm)	-	320w x 267h
Max Weight	-	180kg
Side Hung		
Max Size (mm)	1000w x 1680h	1000w x 1680h
Min. Size (mm)	300w x 320h	300w x 320h
Max Weight	55kg	55kg
Tilt & Turn		
Max Size (mm)	1300w x 2300h	-
Min. Size (mm)	480w x 375h	-
Max Weight	130kg	-
Fixed Light		
Max Size (mm)	2300w x 2300h	2300w x 2300h
Min. Size (mm)	300w x 300h	300w x 300h
Max Weight	300kg	300kg
Glazing		
Glazing panel options: double and triple	24mm - 50mm	24mm - 50mm
System Features		
Single Colour	✓	✓
Dual Colour	✓	✓
Anodised	✓	✓
Textured	✓	✓
Locking Handles	✓	✓
Friction Hinges	-	✓
Butt Hinges	-	✓
Groove type	PVC Euro 16mm	PVC Euro 16mm
Variable Handle Position	✓	✓
Trickle ventilation	✓	✓
Sightlines	89mm	89mm
Frame to Vent	89mm	89mm
Vent to Mullion	103mm	103mm
Fixed Light	43mm	43mm

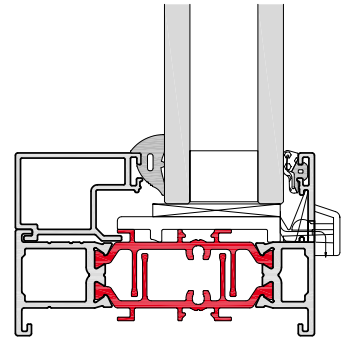
CONFIGURATIONS



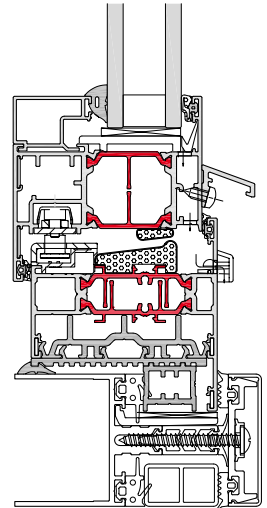
CAD CROSS SECTIONS AND THERMAL PROFILE

Additional details are available on request.

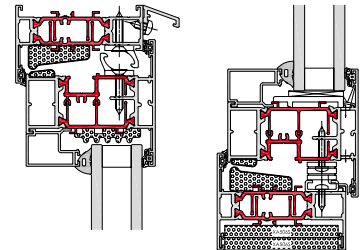
➤ C70S OPEN-IN FRAME DETAIL



➤ C70S OPEN-IN CURTAIN WALL ADAPTOR



➤ C70S OPEN-OUT FRAME AND VENT DETAIL



➤ C70S OPEN-OUT THERMAL PROFILE



➤ C70S OPEN-IN / TBT THERMAL PROFILE

